

# ANCHORS & SETUP



## DEEP SET ANCHOR

Designed for soil class 2 & 3 soil Large stabilizing disc 7" x 1-5/8" sets faster in hard ground with 4 digging points. Reduce installation time. Less inventory - plate & anchor in one!

40-1592 30" long; 3/4" shaft  
4/Bundle

40-1595 36" long; 3/4" shaft  
4/Bundle

## "J" CONCRETE ANCHOR



5/8" x 12" Double head J-rod slab anchor. Engineered for secure installation on freshly poured concrete slabs or footings.

40-9200 Swivel

## CONCRETE SLAB ANCHOR



Installs easily into existing concrete slabs or footings with only a 5/8" drilled hole for expansion anchor bolt.

40-9125

## DOUBLE DISK ANCHOR



30" Double Head Earth Anchors with twin 4" helix, engineered for installation in medium to hard density soil conditions.

40-6012 30" long; 3/4" shaft 8/Bundle

40-6015 36" long; 3/4" shaft 8/Bundle

## CROSS DRIVE ROCK ANCHOR



Engineered for installation in solid rock. Two 36" long drive rods with 3/4" shaft.

40-6620

## BARBED ROCK ANCHOR



Engineered for installation in solid rock 24" long.

40-1390

## STABILIZING PLATE



Prevents anchor from slicing through soil laterally in the direction of the frame tie.

42-0233 8/Ctn

## PIER PAD



ABS pads replace concrete pads. Easier to haul on trucks. Approx. weight is 3lbs.

42-1618 16" x 18"  
12/Bdl

42-1725 17" x 25"  
5/Bdl

42-2424 24" x 24"  
5/Bdl

# ANCHORS & SETUP

## SPLIT BOLT & NUT

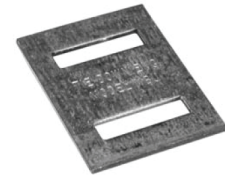


Slotted for use with strap.  
Knurled bolt increases friction between strap and bolt shaft for greater strength.

42-1018  
8/Bag

## STRAP BUCKLE

Steel strap buckle for use in fastening strap around frame of mobile home.



42-1200

## ANCHOR STRAP



Certified strapping galvanized exceeds 4,750 lbs tensile strength; 1-1/4" wide.

41-0037 37'  
41-0100 100lb Roll

## ROOF FLASHING



42-1250 10" x 50' Aluminum  
42-1251 10" x 50' Galvanized

## FRAME TIE w/HOOK



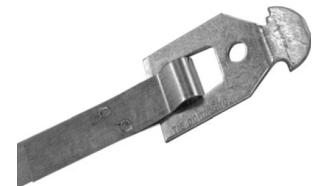
1/4" steel hook locks securely onto frame.

41-2698 8ft;  
41-2699 10ft;  
42-1100 Hook only

## SWIVEL STRAP CONNECTOR w/G120 STRAP

For applications where use of standard frame ties is prohibited. To be used with beam hook.

41-2700 8ft



## BEAM HOOKS



Use with swivel frame connectors for attaching anchor straps to I-beams.

41-9003 3"  
41-9004 4"

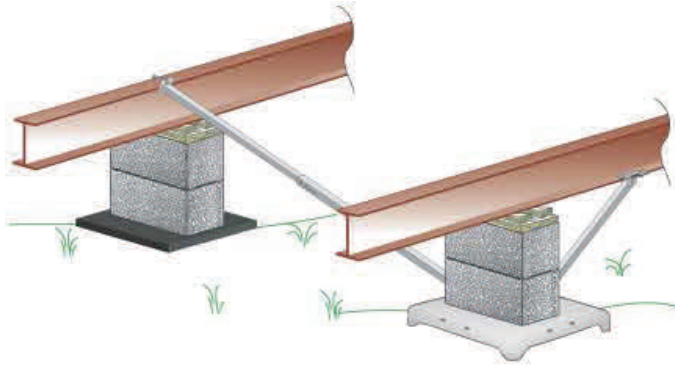
## ADJUSTABLE OUTRIGGER

Adjusts flooring and frame to assist doors and windows to operate properly.

42-6014 24"  
42-6016 36"

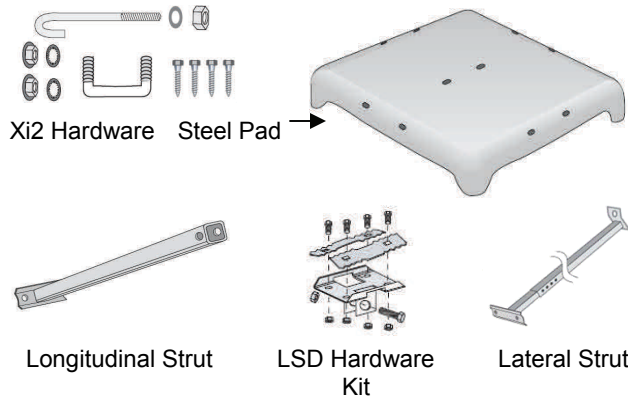


# ANCHORS & SETUP



## Xi2 Foundation System For Ground Applications

- Easy installation.
- Stabilizer plates and diagonal frame ties are not required in most set-ups.
- Longitudinal stabilization is easily added with Tie Down's LSD strut kit.
- Heavy galvanized coating\* on bracket and struts.

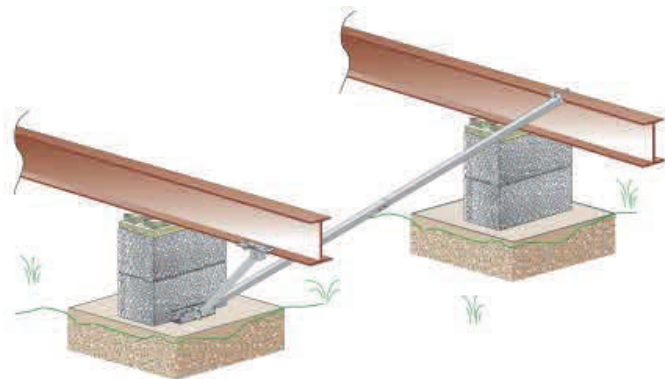


### Ground System

- Xi2 Pad, Hardware, Strut
- 43-9100 Steel Pad
- 43-9125 Lateral Strut 5'
- 43-9130 Ground Lateral Hardware
- 43-9020 44" Longitudinal Strut
- 43-9021 65" Longitudinal Strut
- 43-9026 Ground LSD Hardware Set of 2

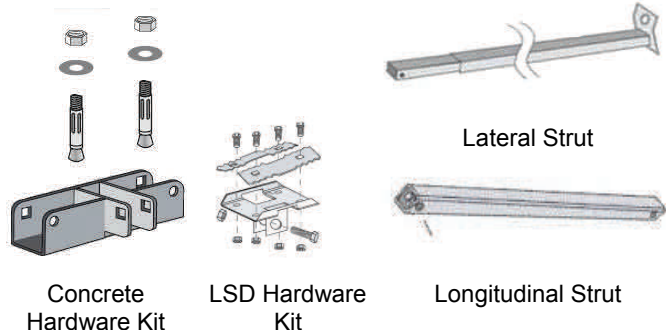
## Xi2 Foundation System For Concrete Applications

- Easy installation.
- Stabilizer plates and diagonal frame ties are not required in most set-ups.
- Longitudinal stabilization is easily added with Tie Down's LSD strut kit.
- Heavy galvanized coating\* on bracket and struts.



### Concrete System

- Hardware, Strut
- 43-9010 Concrete Hardware
- 43-9011 5' Strut
- 43-9012 Concrete LSD Hardware Set of 2
- 43-9013 44" Longitudinal Strut
- 43-9015 65" Longitudinal Strut



# ANCHORS & SETUP

## ANCHOR MACHINE / ADAPTER



Heavy duty 1/2HP drive machine 12RPM. 42-2730 Drive Machine  
42-2741 Adapter Head

## JACKING PLATES

Use when jacking the frame's main beam to avoid damage to the beam and voiding of the warranty. Distributes the concentrated load of the jack head to the frame members. Prevents home from slipping off the jack and causing injury.



42-6200 3"  
42-6220 5"

## STRAP SEAL



Secures strapping together with buckles or frame clamps.

42-1014  
100/box

## STRAP CRIMP TOOL



42-6250

## SOIL TEST PROBE KIT



Determines soil type for proper anchor selection.

42-6100

## POCKET PENETROMETER

Calibrated spring and penetrometer body plated for rust resistance and long life.



42-6150

## HARDWOOD WEDGES



Untreated wood 4" x 8" x 1"

45-3100 100/Bundle; 24/Skid

## HARDWOOD BOARDS



45-0338 1" x 8" x 16" 10/Bundle; 30/Skid  
45-0348 2" x 8" x 16" 5/Bundle; 30/Skid

# ANCHORS & SETUP

## RUMBLE BUTTONS



85-8740 100/box  
85-8742 250/box

## FIRE EXTINGUISHER

Multi-purpose. UL listed and use DOT approved canisters

82-3000 2-B:C Dry 5lb



## SHOCK CORD



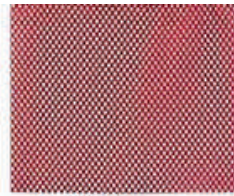
82-1522 18"

## FLAG ON STAFF



82-2602 24" x 24"; 36" staff

## RED FLAG



82-2282 18" x 18"  
82-2275 Flag Clips

## AMBER SEAL BEAM LIGHT



82-0712  
6" Magnetic

## OVERSIZE LOAD SIGNS



82-0421 Metal oversize 7' x 18"  
82-0425 Vinyl oversize 7' x 18"

## MOBILE MATT



82-5000 2' x 8'



## NORCO HYDRAULIC BOTTLE JACKS

50% safety overload factor. Fewer parts, internally machined oil passages, smooth bearing surfaces and close tolerances ensure longer life and fewer breakdowns. No leak "Uni-weld" construction. Can be used vertical, angular or horizontal positions. Carrying handle included.

- 42-6412 12 Ton Standard
- 42-6512 12 Ton Shorty
- 42-6520 20 Ton
- 42-6525 Repair Kit for 12 Ton
- 42-6526 Repair Kit for 20 Ton